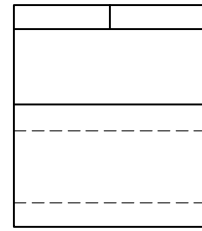
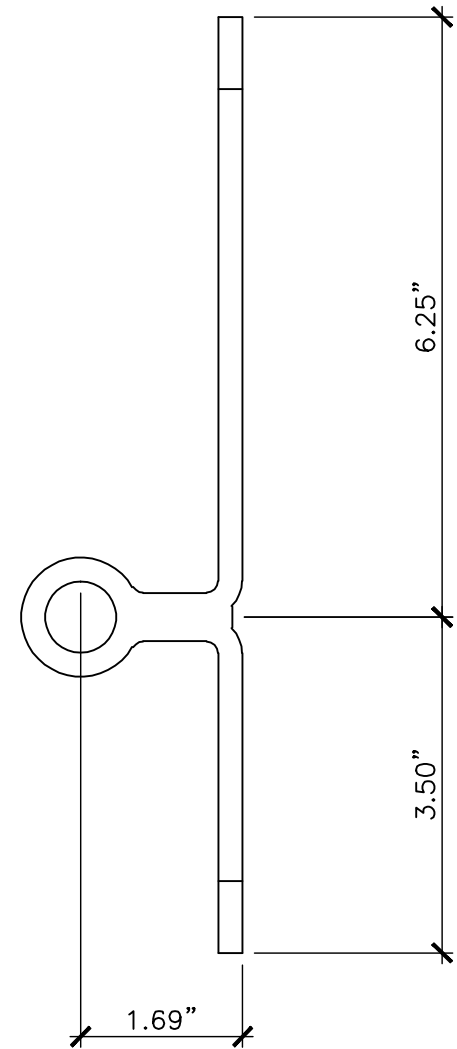


FRONT

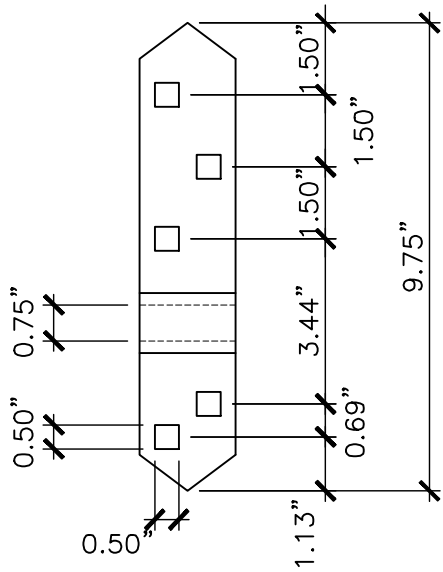


TOP



SIDE

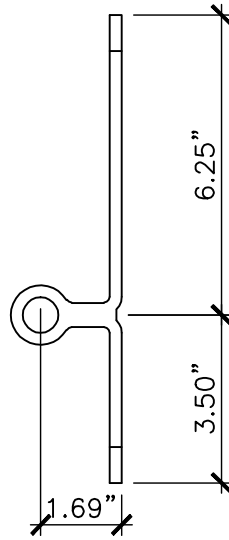
<p>PROPERTY OF: SNUG COTTAGE HARDWARE LLC MARYSVILLE MI. 48040</p>	<p>PRODUCT DESCRIPTION: 3/4" MOUNTING PLATE, REAR EYE ALL DIMENSIONS $\pm 0.125"$</p>	<p>PART NUMBER: 8256-002/00P</p>
--	--	---



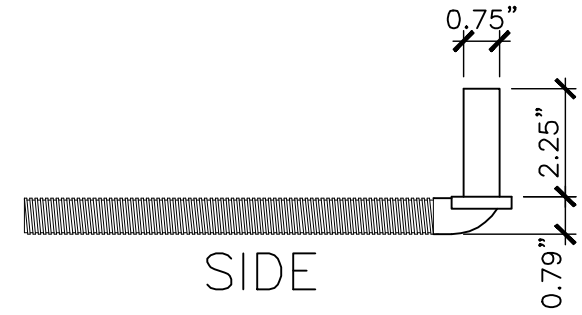
FRONT



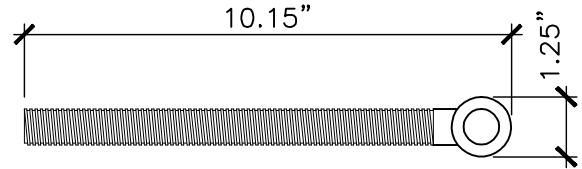
TOP



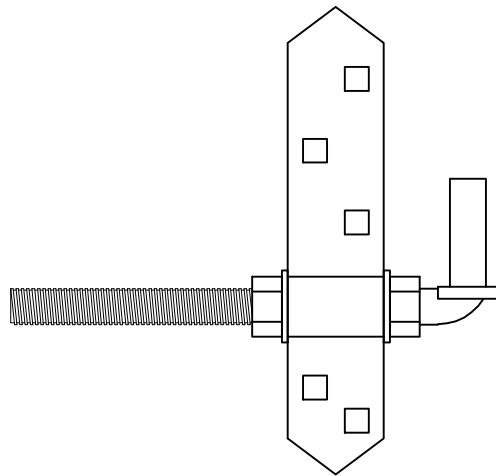
SIDE



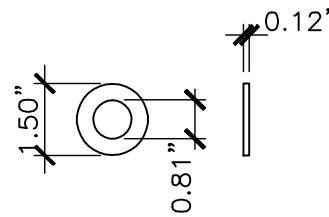
SIDE



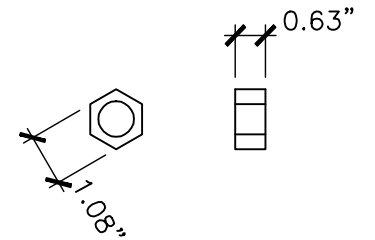
TOP



FRONT ASSEMBLED



WASHER X2



NUT X2

PROPERTY OF:
 SNUG COTTAGE
 HARDWARE LLC
 MARYSVILLE MI.
 48040

PRODUCT DESCRIPTION:
 3/4" MOUNTING PLATE WITH 8" ADJUSTABLE PIN
 ALL DIMENSIONS $\pm 0.125"$

PART NUMBER:
 8256-342/34P