

# EasyKit®

## ACDx10xS5000 ACDx20/21xS5000

### Access Controlled Doors

---

The ACDxS5000 EasyKit offers industry-proven life safety and security hardware for high-use, high-abuse doors with a cost-effective access control solution.



(Shown on 10 Series Rim Exit Device - Available with 20/21 Series Surface Vertical Rod Devices)

#### Benefits -

- Cost-effective access control with panic hardware in one easy-to-install kit
- One easy-to-order/specify catalog number for this turnkey solution
- No key or cards to manage
- One common pin code for all users
- Pin Code can be changed in seconds
- No batteries to replace
- Tough and durable design for years of trouble-free service in high-use, high-abuse environments
- Minimal door prep saves time and money

#### Features -

- S5000 features cast stainless steel internal drive parts
- Stainless steel deadlocking Pullman-type latch bolt on exit device
- Non-handed
- Field sizeable panic device
- 1/8 turn dogging
- Heavy-duty angled end cap deflects damage away from panic device

For more information on 10/20/21 exit devices, see individual catalog pages

For more information on S5000 visit [www.kaba-ilco.com/access\\_control](http://www.kaba-ilco.com/access_control)

#### Mechanical Options -

- CD - Cylinder Dogging
- HD - Hex Dogging (Std.)
- LD - Less Dogging
- 36 - Fits 36" door width (Std.)
- 48 - Fits 48" door width
- F - 3 hour fire rated (both S5000 and panic device)
- H - Hurricane Rated
- 99 - surface strike (Std.)
- 98 - semi mortise strike

#### Electrical Options -

- Exit Alarm (EA)
  - Electric Dogging (ED)
  - Electric Integration (EI)
  - Electric Latch Retraction (ER)
  - Delayed Egress - Self Contained (EE)
  - Delayed Egress with Latch Retraction (EExER)
  - Delayed Egress - Mag Lock (EM)
  - Electric Switching (ES)
  - Request to Exit (EX/EXV)
  - Request to Exit Weatherized (EXxW)
- Refer to Electrified Options section for more information

**Accessories -**

- SN1 - Sex Nut Fasteners
- SSK1 - Torx Security Screw Kit

**Technical Information -**

- Door Types - Wood, Hollow Metal, Fiberglass or Aluminum
- Door Thickness - Fits standard 1-3/4" - 2-1/4" (for other door thicknesses, contact factory)
- Door Stile - Fits minimum 5" wide stile with 99 strike (Std.)
- Machine and Sheet Metal Screws (Std.)
- Rail is Heavy Ribbed Aluminum Extrusion
- S5000 numeric pushbuttons - vandal resistant, anodized aluminum
- S5000 construction is solid cast housing and solid cast zinc levers

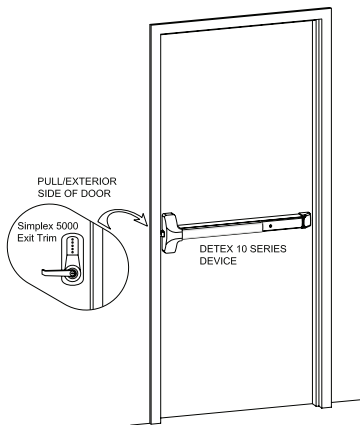
**Finishes (KABA) -**

- 626/26D Satin Chrome
- 606/04 Lifetime Satin Brass
- 695/55 Duranodic
- 605/03 Lifetime Bright Brass

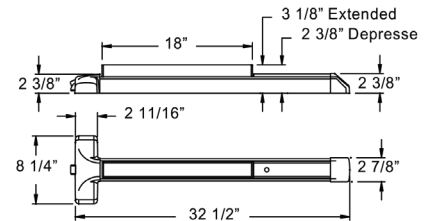
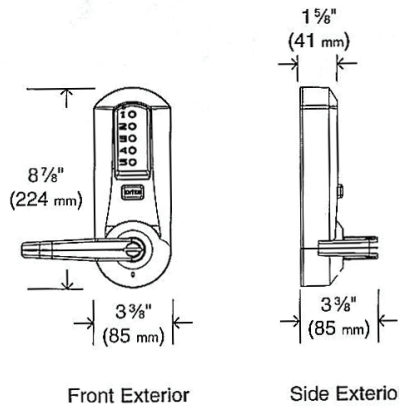
**Finishes (Advantex) -**

- 605 / US3 - Polished Brass
- 606 / US4 - Brushed Brass
- 611 / US9 - Polished Bronze
- 612 / US10 - Brushed Bronze
- 613 / US10B - Oil Rubbed Bronze
- 629 / US32 - Polished Stainless Steel
- 630 / US32D - Brushed Stainless Steel

**Riser Diagram -**



**Dimensions -**



10 Series Dimensions Shown

**Detex Limited Warranty -**

Advantex - 10 Year Mechanical / 3 Year Electrical Manufacturers Limited Warranty

S5000 - 3 year Manufacturers Warranty

**Listings and Approvals - Advantex**

- UL Listed Panic Hardware
- UL Listed Fire Exit Hardware for 3 hours, maximum
- 4'x10' single doors and pairs of 4'x8' with F90KR keyed removable Mullion
- Meets ADA requirements
- UBC 97, Standard 7-2 and UL10C for positive pressure
- ANSI/BHMA certified A156.3
- Meets NFPA 80 & 101 for Life Safety
- Miami-Dade County, Florida NOA 04-0810.04 EXP. 04/07/10 } 10 Series Only
- California State Fire Marshall - 4140-0127:105

**Listings and Approvals - S5000**

- 3 Hour UL & ULC fire rating for "A" labeled doors
- Meets ADA requirements
- ANSI/BHMA A156.2-2001 Grade 1



Detex Corporation  
 302 Detex Drive  
 New Braunfels, Texas 78130-3045 USA  
 PH. (830) 629-2900  
 (800) 729-3839  
 FAX (830) 620-6711  
 (800) 653-3839  
 http://www.detex.com  
 USA Sales:  
 marketing@detex.com  
 International Sales:  
 export@detex.com