



EDx10 EDx20/21 EDx30 EDx40 EDx50/51

Electric Dogging

The Electric Dogging EasyKits are designed for entrance and exit doors that require panic or fire exit hardware. When energized, and after the pushpad is depressed, the pushpad and the latch bolt remain retracted, providing push-pull operation. Relocking all devices is accomplished by using a single switch or through a fire alarm input. All components required for this installation are included in one easy-to-order kit.



Power Supply
(80-800 Shown)



Electric Dogging Exit Device
(10 Series Shown)

Also Included:

Outside Trim (Call
Factory for Options)

Wiring Diagram

(Shown on 10 Series Rim Exit Device - Available with 10/40 Rim, 30 Mortise and 20/21/50/51 Surface Vertical Rod Devices)

Benefits -

- Best-in-class components provide for fast, easy installation
- All components included in one, easy-to-specify part number
- Great for locking down large campuses, using a single switch

Features -

- Configured Electric Dogging EasyKit includes all hardware, instructions, riser illustration and point-to-point wiring diagram
- Advantex panic device has stainless steel deadlocking Pullman-type latch bolt
- Heavy-duty angled end cap deflects damage away from panic device
- Exit hardware (10/40) is non-handed or reversible
- Available in various configurations, for single or paired openings

Mechanical Options -

- F - 3 hour fire rated exit device
- 36 - Fits 36" door width (Std.)
- 99 - Surface strike (Std.)
- 48 - Fits 48" door width
- 98 - Semi mortise strike

Accessories -

- SN1 - Sex Nut Fasteners
- Various configurable cylinder trims, pulls and levers (Call factory for specific details)
- GB# - Glass Bead Kits

Electrical Options -

- Request to Exit (EX)
- 80-800 Power Supply - 24VDC filtered, regulated with fire loop connection
- PP-5152-2 24VAC Transformer

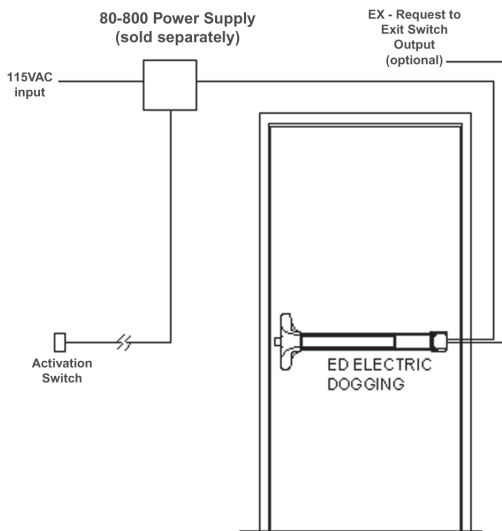
Technical Information -

- Door Types - Wood, Hollow Metal, Fiberglass or Aluminum
- Door Thickness - Fits standard 1-3/4" - 2-1/4" (for other door thicknesses, contact factory)
- Door Stile - Fits Minimum 4-5/8" with 99 strike (Std.)
- Door Stile - Fits Minimum 4-1/8" with 98 strike
- Machine and Sheet Metal Screws (Std.)
- Rail is heavy ribbed aluminum extrusion

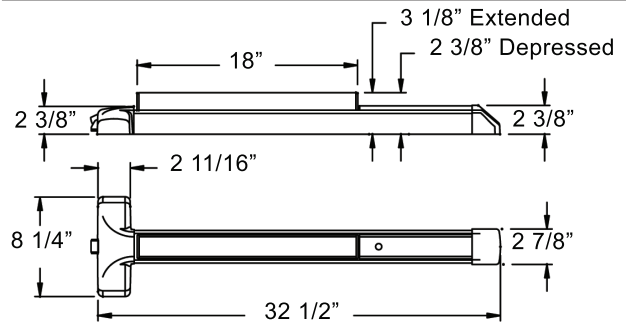
Finishes (Advantex) -

- 605 / US3 - Polished Brass
- 606 / US4 - Brushed Brass
- 611 / US9 - Polished Bronze
- 612 / US10 - Brushed Bronze
- 613 / US10B - Oil Rubbed Bronze
- 629 / US32 - Polished Stainless Steel
- 630 / US32D - Brushed Stainless Steel

Riser Diagram -



Dimensions -



10 Series Dimensions Shown

Detex Limited Warranty -

Advantex - 10 Year Mechanical / 3 Year Electrical Manufacturers Limited Warranty

Listings and Approvals -
(on 10 and 40 Series Devices)

- UL Listed Panic Hardware
- UL Listed Fire Exit Hardware for 3 hours, maximum
- 4'x10' single doors and pairs of 4'x8' with F90KR key removable Mullion
- Meets ADA requirements
- UBC 97, Standard 7-2 and UL10C for positive pressure
- ANSI/BHMA certified A156.3
- Meets NFPA 80 & 101 for Life Safety
- Miami-Dade County, Florida NOA 04-0810.04 EXP. 04/07/10
- California State Fire Marshal - 4140-0127:105

Listings and Approvals -
(on 20/21/50/51 Series Devices)

- UL Listed Panic Hardware
- UL Listed Fire Exit Hardware for 3 hours, maximum
- 4'x10' single doors and 8'x10' pairs of doors
- Meets ADA requirements
- UBC 97, Standard 7-2 and UL10C for positive pressure
- ANSI/BHMA certified A156.3
- Meets NFPA 80 & 101 for Life Safety
- California State Fire Marshal - 4140-0127:105



Detex Corporation
 302 Detex Drive
 New Braunfels, Texas 78130-3045 USA
 PH. (830) 629-2900
 (800) 729-3839
 FAX (830) 620-6711
 (800) 653-3839
 http://www.detex.com
 USA Sales:
 marketing@detex.com
 International Sales:
 export@detex.com