



## WDEx10

### Weatherized Delayed Egress

The WDE EasyKits provide a secure 2-point locking system with 15-second delay and 100dB alarm when someone attempts to exit. The WDE EasyKit is perfect for garden center gates amusement parks, sports arenas and any location exposed to weather or moisture where delayed exit is required. Although ideal in helping prevent theft, in applications such as outdoor childcare and assisted living homes, WDE EasyKit can also be used to help protect those trying to exit.



Shown with 10 Series Rim Exit Device - Available with 10/40 Rim (For Mortise and Vertical Rod Applications contact factory)

#### Benefits -

- Best-in-class components provide for fast, easy installation
- All hardware items provided with one easy-to-order, easy-to-specify part number
- Immersion-proof switching and corrosion resistant components provide years of trouble-free service
- Controls foot traffic, deters unauthorized exits, reduces employee and customer theft while providing a life safety, code compliant application

#### Features -

- Configured Weatherized Delayed Egress EasyKit includes all hardware, instructions, riser illustration and point-to-point wiring diagram
- Factory-programmed, pre-wired, delayed egress controller/power supply
- NEMA 4X enclosure protects controller/power supply from moisture and corrosive elements
- Advantex Weatherized panic device has stainless steel dead-locking Pullman-type latch bolt
- 10 ft. flex conduit loop
- Outdoor electromagnetic lock has 1500+ lbs of holding force
- Form C, momentary key switch with green and red LEDs, arms, disarms and resets system
- Outdoor protective key switch cover
- Outdoor horn has various field-adjustable tone and decibel settings. Strobe also available.
- Outdoor, code-compliant delayed egress signage
- All hardware is non-handed
- Fire Alarm override connected at controller/power supply
- Remote bypass and signaling options available
- Heavy-duty angled end cap deflects damage away from panic device
- Available in various configurations, for single and paired openings

#### Mechanical Options -

- F - 3 Hour Fire Rated
- H - Hurricane Rated
- CD - Cylinder Dogging
- HD - Hex Dogging
- LD - Less Dogging (Std.)
- 36 - Fits 36" Door Width (Std.)
- 48 - Fits 48" Door Width
- 99 - Surface Strike (Std.)
- 98 - Semi Mortise Strike

#### Electrical Options -

- 1 to 3 second code-compliant field-adjustable nuisance alarm
- 120V AC (Std.)
- Also available 277V and 240V logic controller/power supply



**Accessories -**

- SN1 – Sex Nut Fasteners
- SSK - Torx Security Screw Kit
- Z bracket spacers for Magnetic Lock(s)
- GB - Glass Bead Kits

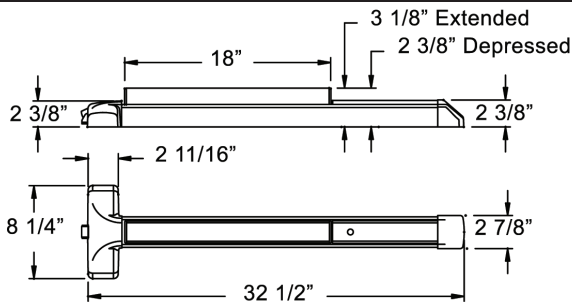
**Technical Information -**

- Door Types - Hollow Metal, Fiberglass or Aluminum
- Stile - Advantex fits minimum 4-5/8" with 99 strike
- Gate Types - Gate plate must be at least 32" wide
- 1/4" maximum for vertical gap between gate and strike post
- Gate plate must accommodate panic device, see dimensions

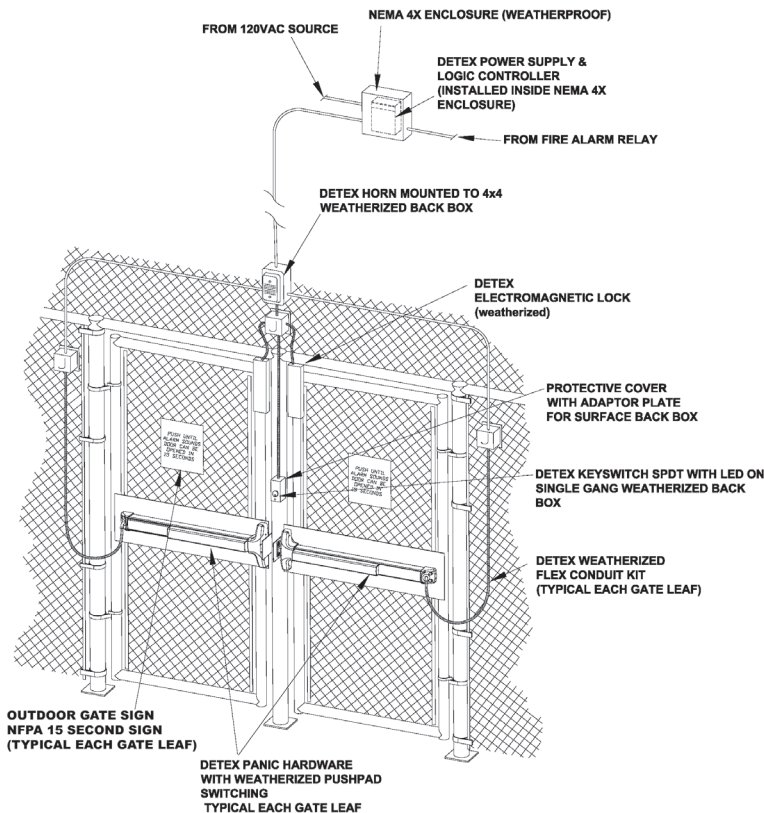
**Finishes -**

|           |                 |             |                   |             |                          |
|-----------|-----------------|-------------|-------------------|-------------|--------------------------|
| 605 / US3 | Polished Brass  | 612 / US10  | Brushed Bronze    | 629 / US32  | Polished Stainless Steel |
| 606 / US4 | Brushed Brass   | 613 / US10B | Oil Rubbed Bronze | 630 / US32D | Brushed Stainless Steel  |
| 611 / US9 | Polished Bronze |             |                   |             |                          |

**Dimensions - (10 Series Shown)**



**Riser Diagram -**



**Listings and Approvals - Advantex**

- UL Listed Panic Hardware
- UL Listed Fire Exit Hardware for 3 hours, maximum
- 4"x10' single doors and pairs of 4"x8' with F90KR key removable Mullion
- Meets ADA requirements
- MIL-STD 810F, Method 506.4 (Driving Rain Test)
- MIL-STD 810F, Method 509.4 (Salt fog Test)
- UBC 97, Standard 7-2 and UL10C for positive pressure
- ANS/BHMA certified
- Meets NFPA 80 & 101 for Life Safety
- Miami-Dade County, Florida NOA 04-0810.04 EXP. 04/07/10 } 10/40 Series Only
- California State Fire Marshall - 4140-0127:105

**Detex Limited Warranty -**

Advantex - 10 Year Mechanical / 3 Year Electrical Manufacturers Limited Warranty



Detex Corporation  
 302 Detex Drive  
 New Braunfels, Texas 78130-3045 USA  
 PH. (830) 629-2900  
 (800) 729-3839  
 FAX (830) 620-6711  
 (800) 653-3839  
<http://www.detex.com>  
 USA Sales:  
[marketing@detex.com](mailto:marketing@detex.com)  
 International Sales:  
[export@detex.com](mailto:export@detex.com)