



UNIVERSAL BOULEVARD BRACKET #BB102-N

INSTALLATION INSTRUCTIONS

The Montage Universal Boulevard Bracket is used to connect to an end post (single panel terminates at post - see Fig. 1), a line post (two panels join the post on opposite sides - see Fig. 2), and a corner post (two panels join the post on adjacent sides - see Fig. 3).

END POST (Fig. 1)

Step 1 - Spread bracket as needed to fit around the post, with open end on side where panel will mount.

Step 2 - Insert rail end into bracket opening so that holes align properly.

Step 3 - Insert $\frac{1}{4}$ " x $1\frac{1}{2}$ " carriage bolt to connect rail end to bracket.

Step 4 - Affix $\frac{1}{4}$ " flange nut to end of bolt and, with panel positioned at proper height, tighten nut with hex socket wrench.

Step 5 - Fix bracket position on post with #14 x $\frac{3}{4}$ " self-drilling screw.

Repeat steps for each rail end.

LINE & CORNER POSTS

Use same steps as shown above for end posts. Use double bracket configuration shown in Fig. 2 for in-line connections and double bracket configuration in Fig. 3 for corner connections.

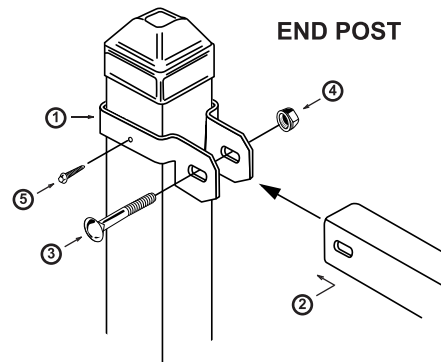


Figure 1

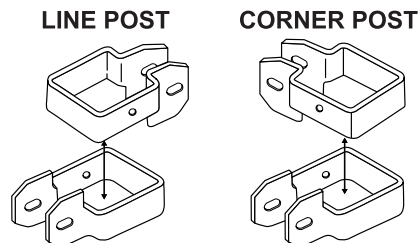


Figure 2

Figure 3

NOTE: Use Ameristar Custom Spray Finish to seal any abrasive marks caused by the installation procedure.



1555 N. Mingo Road Tulsa, OK 74116
Phone 1-888-333-3422 Fax 1-918-835-0899
www.ameristarfence.com E-mail: mktg@ameristarfence.com

BB102-N

AMERISTAR FENCE PRODUCTS
MADE IN USA