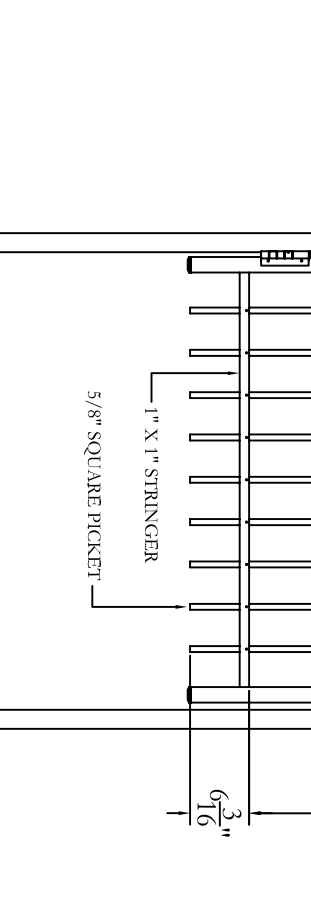
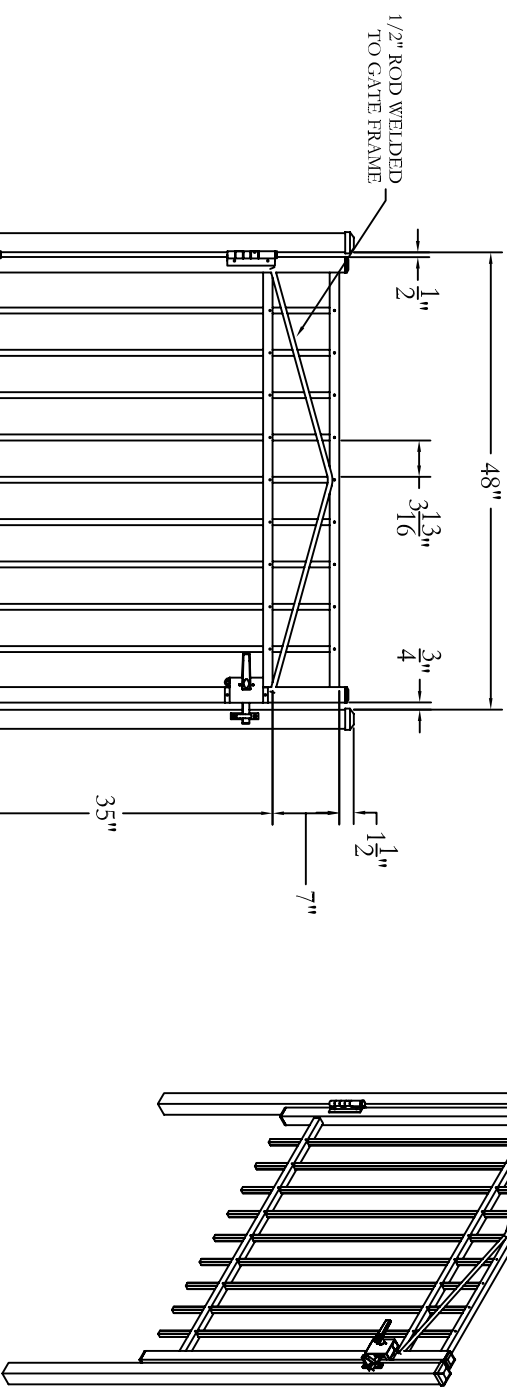



REV	DATE	DESCRIPTION	BY	APPROVED
1	NC	INITIAL RELEASE		




 Manufacturing Co., Inc.
 Philadelphia, PA 19154
 (800) 344-2242

DRAWING: RESIDENTIAL GATE
 STYLE #202
 48" HIGH X 48" WIDE

SIZE	DWG NO.	REV
D	RS48U20248	NC
SCALE	DATE	SHEET
1-1.05	1-1.05	1 OF 1

© 2005. This drawing may not be altered or reproduced without the permission of Jerth Manufacturing Co., Inc.