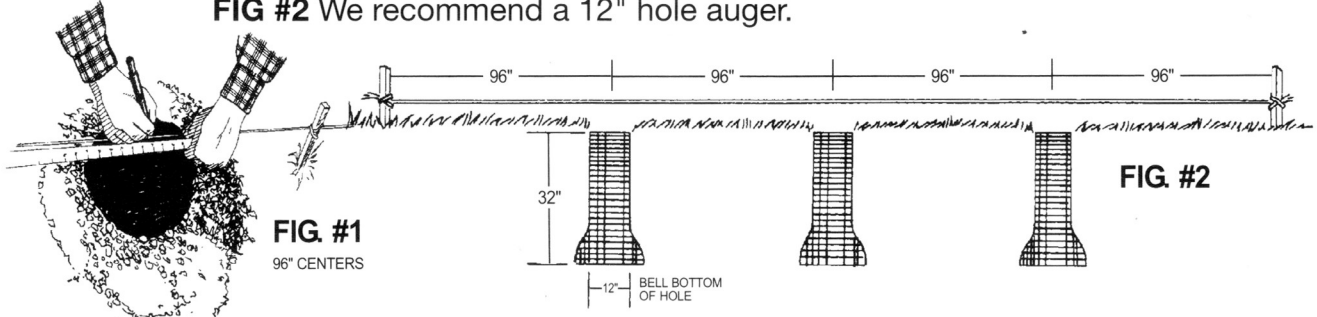


# Split Rail Fence Installation Instructions

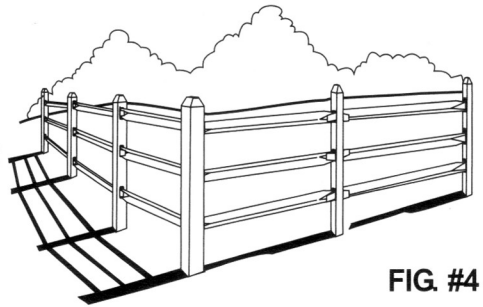
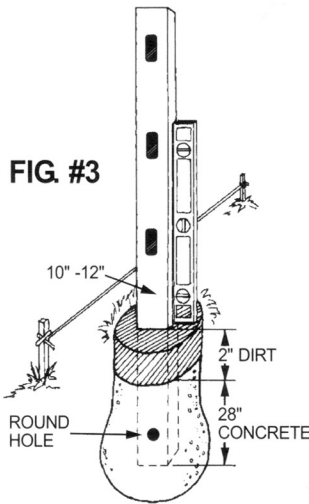
## Step 1: Preparation and Digging

First, set stakes and stretch your line. Use spray paint to mark location of holes, **FIG #1** Holes should be 32" deep and should be 96" on center, **FIG #2** We recommend a 12" hole auger.



## Step 2: Aligning of Fence Post

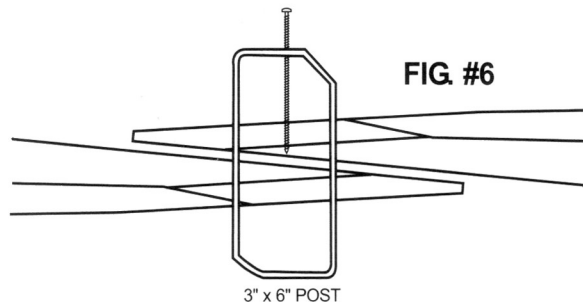
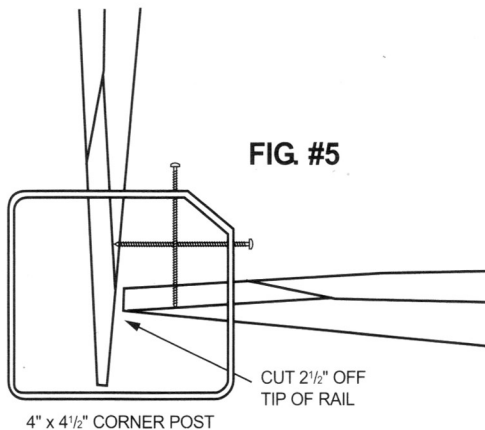
Set corner and end post and mark on string for 96" centers. Install rails as you go down the line before concreting posts. Using a 4' level, position post close to string without touching. When post is plumb, fill hole to 2" below ground level with concrete. Then fill the rest with dirt. Be sure that bottom of the routed hole on fence post is 10-12" above ground, **FIG #3**



After all posts are in, sight across top of posts to ensure posts follow the contour of the land. Adjust posts accordingly and check for plumb by sighting down the side of the posts, **Fig #4**

## Step 3: Installing Rails to Posts

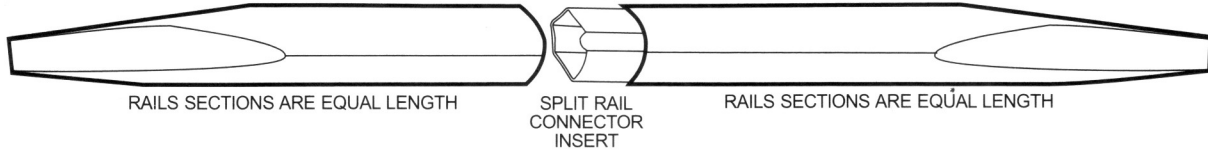
On corner posts slide rail into one side of post. For the other direction, cut 2½" of end of rail and place into corner post. Fasten each rail with screw, **FIG #5**. For other remaining posts, use one screw at each rail location, **FIG #6**.



# Split Rail Fence Installation Instructions

## Step 4: For Special Rail Lengths

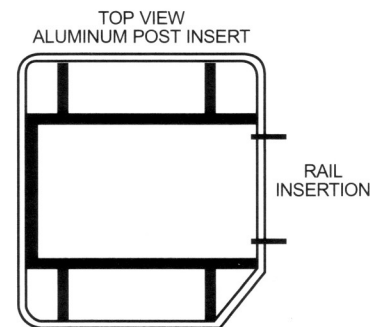
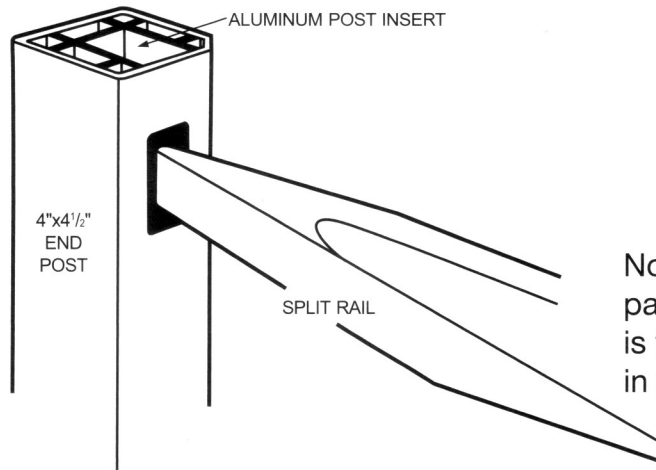
For rail spans different than standard sizes: remove waste from center of rail for shorter runs. For longer runs, cut waste off two opposite rail ends. Each rail piece should be half the length of run desired. Insert split rail connector and screw into place.



## Step 5: Gate Post Installation

Single gate opening should be 3" wider than gate  
Double gate opening should be 4½" wider than gate

Slip aluminum post insert into PVC post before inserting rails into post.



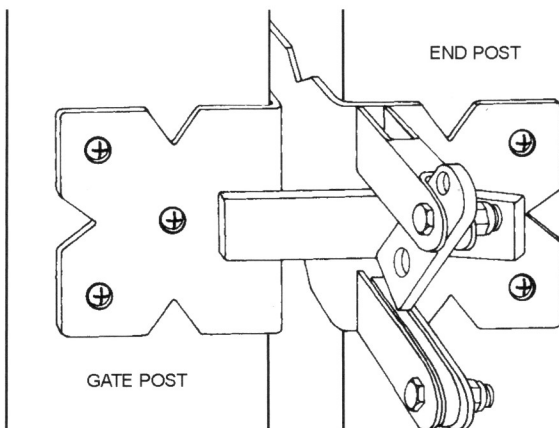
Note: Make sure the wide part of the aluminum insert is facing toward the holes in post.

## Step 6: Installation of Gate

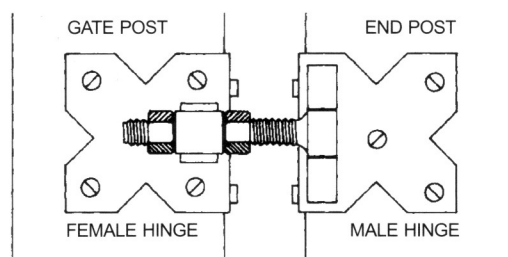
The gate hardware can be used for a right or left hand opening.

It simply is a matter of reversing the clappers and the latches. Shown below is the proper positioning of the gate hardware latch.

**Note: 2-way latch and gate springs available.**



Hinges should be installed as such: the male hinge is mounted on the end post and has adjustable nuts to compensate for opening. The female hinge is mounted on the gate itself.



Note: Looks best when hinges line up with horizontal rails.